

# CMP 200<sup>®</sup> SERIES

High Frequency X-Ray Generator

High Performance  
Enhanced Capability  
DR Ready  
Reliability

The performance and reliability offered by our products stem from years of technological advancements and have become a cornerstone of many leading technologies in different market segments.

The CMP 200<sup>®</sup> High Frequency X-Ray Generator Series continues CPI's history of innovation with a versatile product coupled with enhanced features that serve the radiographic market through performance and reliability.



Consoles  
Available



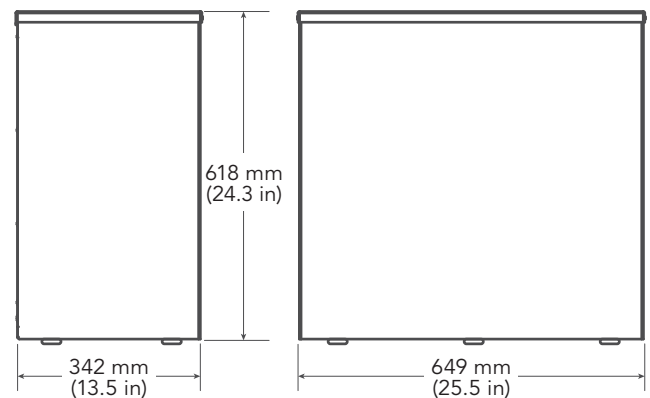
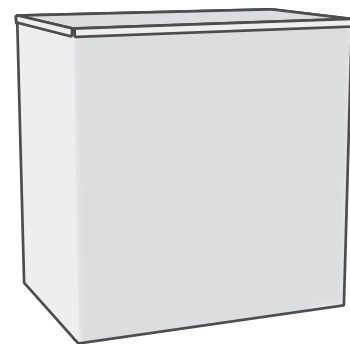
## BENEFITS

- Advanced control interfaces for Digital Radiography
- Suitable for Digital Radiography, Computed Radiology and similar applications
- Configurable for high-end and specialized radiography applications
- Expansive options and configurations available



## FEATURES

- Highly customizable to meet a variety of power levels ranging from 32 kW to 80 kW.
- Supports complete system integration using CPI ASCII Protocol over RS-232 and DR interface using discrete I/O signals.
- Compatible with over 300 X-ray tubes that offer low speed and dual speed capabilities.
- A multitude of standard and advanced options available to power modern radiographic imaging systems and other specialized applications.
- kV-AEC, kV-mAs, kV-mA-ms, or kV-cm thickness techniques.
- Exposure output from 40 kV to 125 kV or 150 kV, 10 mA to 1000 mA, 0.1 mAs to 1000 mAs (optionally higher), 1 ms to 6300 ms standard, 10 or 20 s optional.
- Enhanced diagnostics capability using event logs and detailed messages.



ISO 13485:2016  
CERTIFIED

ISO 9001:2015  
CERTIFIED

Registered Trademarks, excluding TÜV, are U.S. Registered Trademarks of Communications & Power Industries Canada Inc.



### Satcom & Medical Products Division

+1 888 CPI XRAY

+1 905 877 0161

medicalmarketing@cpii.com

www.cpii.com/medical/radgenerators

For more detailed information, please refer to the corresponding CPI technical description (if published), or contact CPI before using this information for system design. Specifications may change without notice as a result of additional data or product refinement.

©2022 Communications & Power Industries LLC. Company proprietary: use and reproduction is strictly prohibited without written authorization from CPI.